

InnoTech Atira double walled drawer system

- ▶ Solutions with bottom cutout
- ▶ Powder coated steel, silver

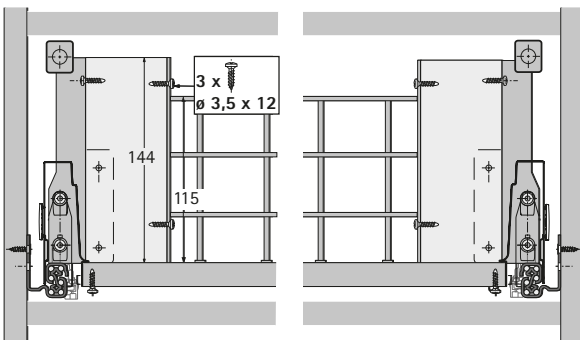


- ▶ For utilising the space below the U bend
- ▶ For pot-and-pan drawers with a nominal length of 350 mm and over

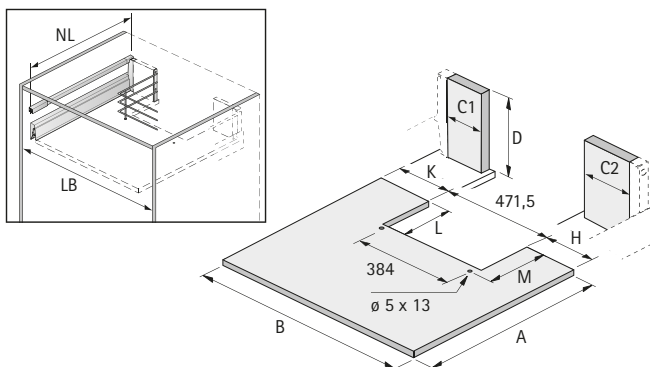
Wire surround for U bend cutout

Order no.	PU
0 040 119	1 ea.

Dimensional drawing



Dimensions for cutting to size



- ▶ Dimension A = NL + 10 (wooden rear panel) / NL - 3 (aluminium rear panel)
- ▶ Dimension B = LB - 2 x EB - 51.5
- ▶ Dimension C1 = K - 20
- ▶ Dimension C2 = H - 20
- ▶ Dimension D = 144 (wooden rear panel)
- ▶ Dimension L = 280 (wooden rear panel) / 267 (aluminium rear panel)
- ▶ Dimension M = 290 (wooden rear panel) / 277 (aluminium rear panel)